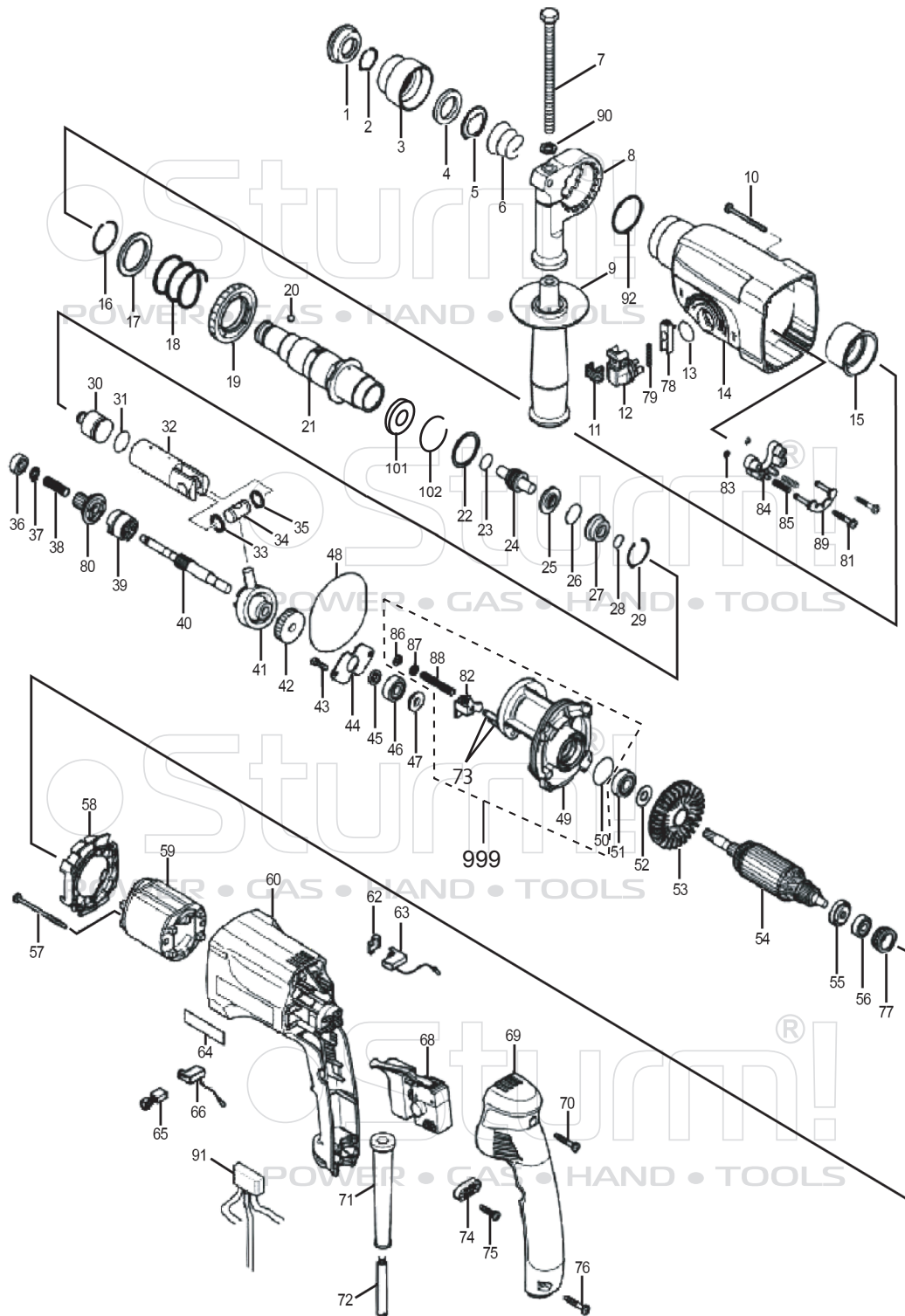


RH2591P



NO.	DESCRIPTION	NO.	DESCRIPTION
1	CAP	48	O RING
2	RING SPRING	49	INNER HOUSING COMPLETE
3	CHUCK COVER	50	O RING
4	RING	51	BALL BEARING
5	GUIDE WASHER	52	FLAT WASHER
6	CONICAL COMP. SPRING	53	FAN
7	HEX. BOLT	54	ARMATURE ASSY
8	GRIP BASE	55	INSULATION WASHER
9	HANDLE	56	BALL BEARING
10	TAPPING SCREW	57	TAPPING SCREW
11	CAP	58	BAFFLE PLATE
12	CHANGE LEVER COMPLETE	59	STATOR
13	O RING	60	MOTOR HOUSING
14	GEAR HOUSING SET	62	SPACER
15	NEEDLE BEARING COMPLETE	63	BRUSH HOLDER
16	RING SPRING	64	LABEL
17	WASHER	65	CARBON BRUSH
18	COMPRESSION SPRING	66	CORD SLEEVE
19	SPUR GEAR	68	SWITCH
20	STEEL BALL	69	HANDLE COVER COMPLETE
21	TOOL HOLDER COMPLETE	70	TAPPING SCREW
22	FLAT WASHER	71	CORD GUARD
23	O RING	72	POWER SUPPLY CORD
24	IMPACT BOLT	73	PIN Ø5X30.8MM
25	RING	74	STRAIN RELIEF
26	O RING	75	TAPPING SCREW
27	O RING CASE	76	TAPPING SCREW
28	O RING	77	RUBBER RING
29	RING SPRING	78	LOCK BUTTON
30	STRIKER	79	COMPRESSION SPRING
31	O RING	80	SPUR GEAR
32	PISTON CYLINDER	81	TAPPING SCREW
33	FLAT WASHER	82	CHANGE PLATE
34	PSITON JOINT	83	STOP RING
35	FLAT WASHER	84	GUIDE BASE
36	BALL BEARING	85	COMPRESSION SPRING
37	RETAINING RING	86	STOP RING
38	COMPRESSION SPRING	87	FLAT WASHER
39	CLUTCH CAM	88	COMPRESSION SPRING
40	CAM SHAFT	89	LOCK PLATE COMPLETE
41	SWASH BEARING	90	HEX. WASHER
42	HELICAL GEAR	91	CAPACITOR
43	HEX. COCKET HEAD BOLT	92	SEAL RING
44	BEARING RETAINER	101	LIMIT RING
45	FLAT WASHER	102	CIRCLIP
46	BALL BEARING	999	INNER HOUSING COMPLETE SUBASSEMBLY
47	RING		